

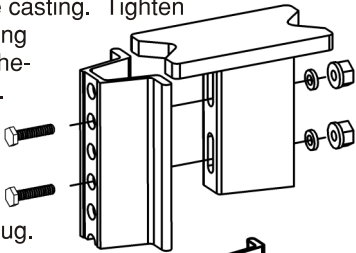
THE SLIP SAFE REUSABLE SLIP-BASE SYSTEM

Patent Nos. D389.252 and D389.253

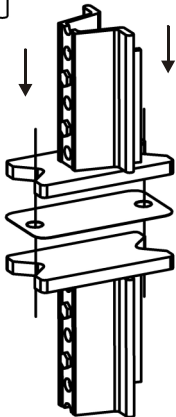
Installation

The SLIP SAFE reusable slip-base system consists of two single-post castings, two 9/16 x 2 in. SLIP SAFE attachment bolts with nuts and lock washers, four 5/16 x 1 3/8 in. SLIP SAFE hex-head attachment bolts with flat washers and flanged nuts, two U-brackets and one galvanized 28-gage keeper plate.

- 1** Drive the base post into the ground so that no more than 3 in. is above ground level. Nest casting into top of base post. Insert two 5/16 x 1 3/8 in. SLIP SAFE hex head bolts through post and casting. Place the washer and flanged nut on the bolts on the inside of the casting. Tighten the bolts using the turn-of-the-bolt method. The bolts should be tightened 1/2 to 3/4 turn after snug.



- 2** Nest the next casting to the top post. Attach the second casting to the top post in the same manner as the first casting was attached.



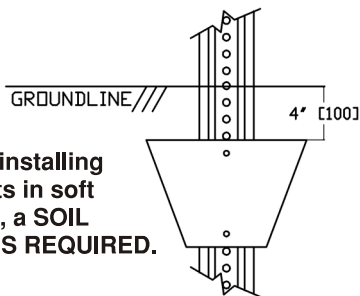
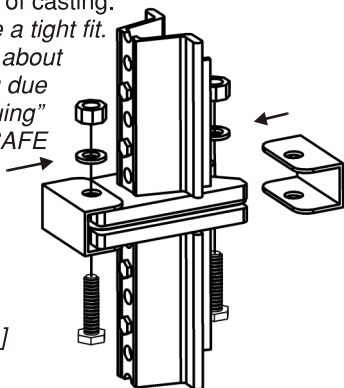
- 3** Place keeper plate on top of the base post SLIP SAFE casting, keeping plate holes aligned to V-notches in casting.

4 Position the assembled SLIP SAFE top post with attached casting over the keeper plate and base post's SLIP SAFE casting so that both castings align. (See #3 diagram on front)

5 Slip U-brackets over both ends of castings. Insert a 9/16 x 2 in. casting attachment bolt from the bottom, up through the U-bracket and the keeper plate. Repeat for other side of casting. Place a lock washer over the protruding bolt. Put on nut and tighten. Using the turn-of-the-bolt method, the attachment nut should be tightened 1/3 to 1/2 turn after snug. Repeat for other side of casting.

[This must be a tight fit.

Do not worry about not activating due to "over-torquing" of the SLIP SAFE casting attachment bolts. The system has been tested with the bolts over torqued.]



Note: If installing the posts in soft soil (s2), a SOIL PLATE IS REQUIRED.



912 Cheney Avenue - Marion, Ohio 43302
(740) 383-4011 - www.nucorhighway.com

AMERICA'S SIGNPOST LEADER