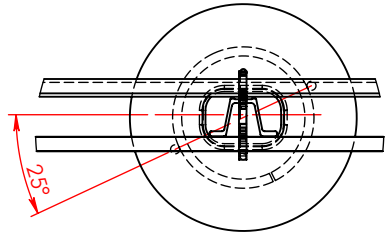
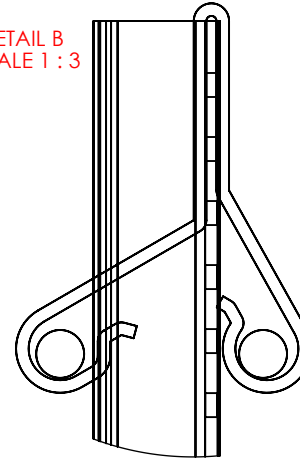


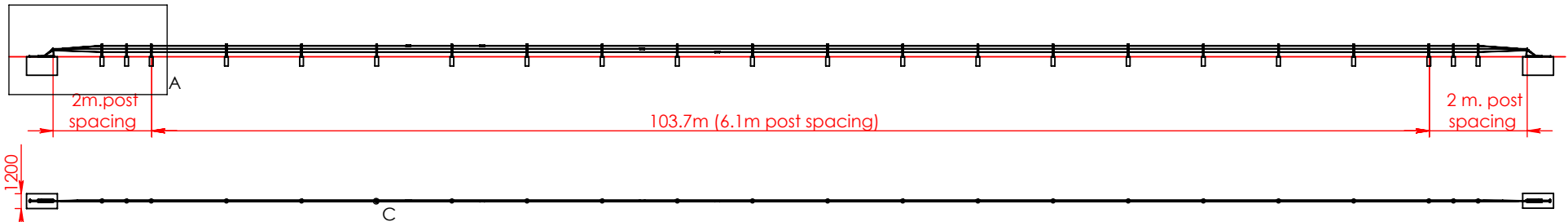
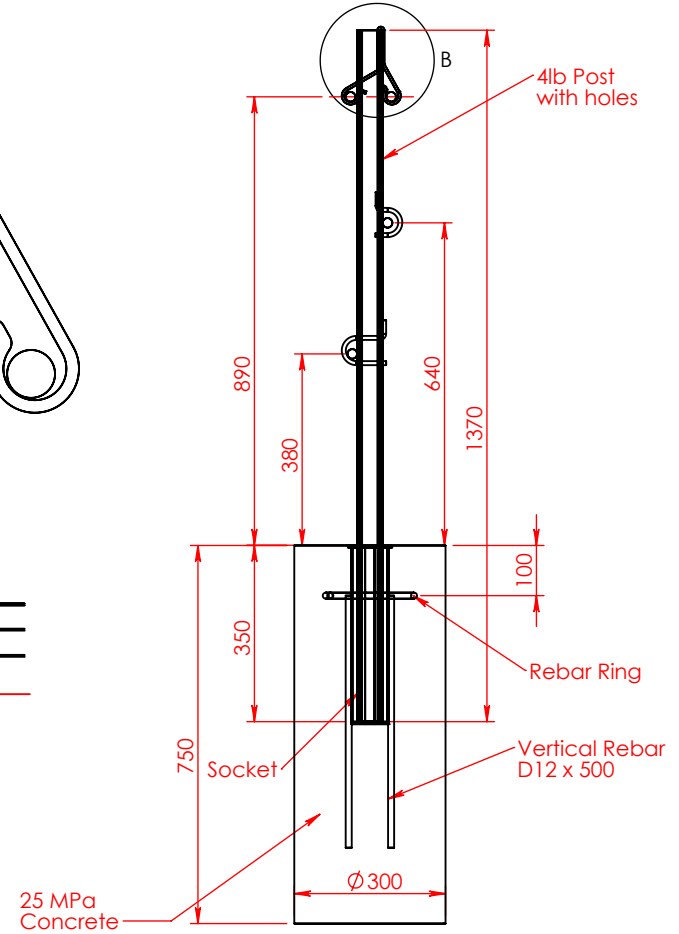
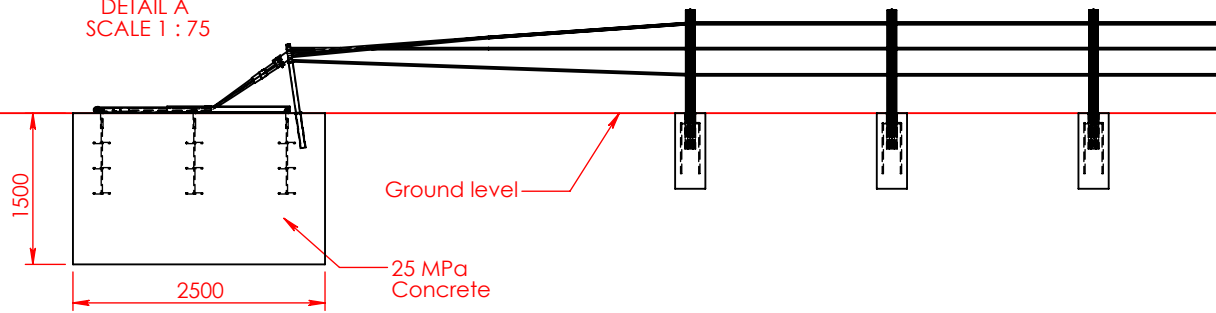
DETAIL C  
SCALE 1 : 10



DETAIL B  
SCALE 1 : 3



DETAIL A  
SCALE 1 : 75



The information heron is proprietary to Armorflex Ltd. and shall not be disclosed, duplicated or used otherwise without the express written approval of Armorflex Ltd.

SCALE: 1:500

Standard Tolerance

	DATE	INIT.
DRAWN BY		AD
APPR'D BY		DJ



8 Paul Matthews Rd.  
Albany, Auckland, NZ  
tel. 64 9 415 2991  
fax. 64 9 415 2993  
info@armorflex.co.nz

Nucor Wire

SHEET	DRAWING NUMBER	REV.
1 OF 1		

© 2007 Armorflex Ltd.	REV.	CHANGES	DATE
-----------------------	------	---------	------